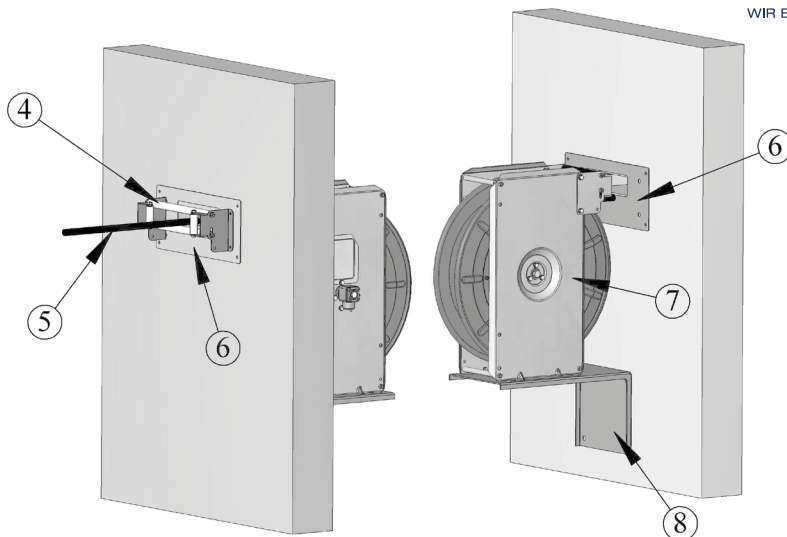


Wall duct window

Sectional view

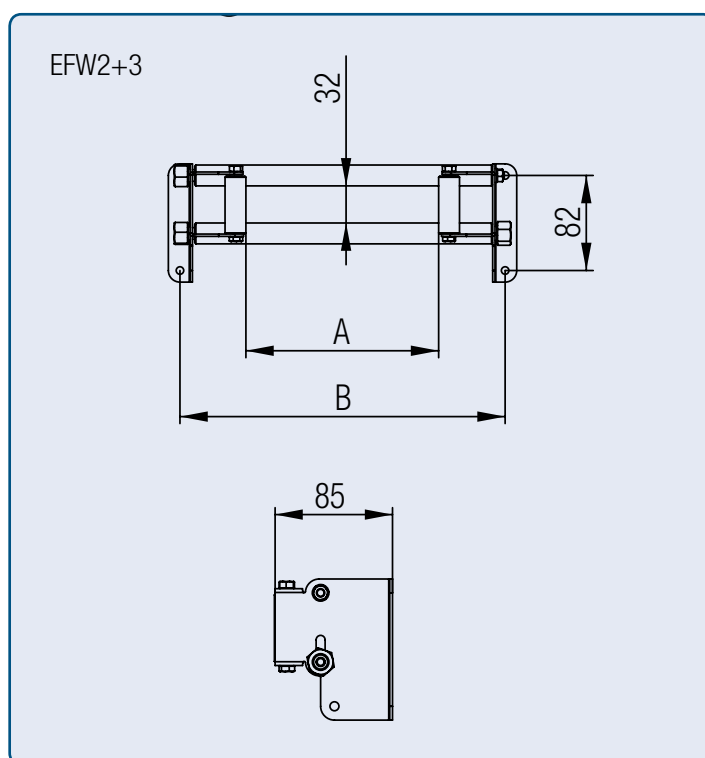
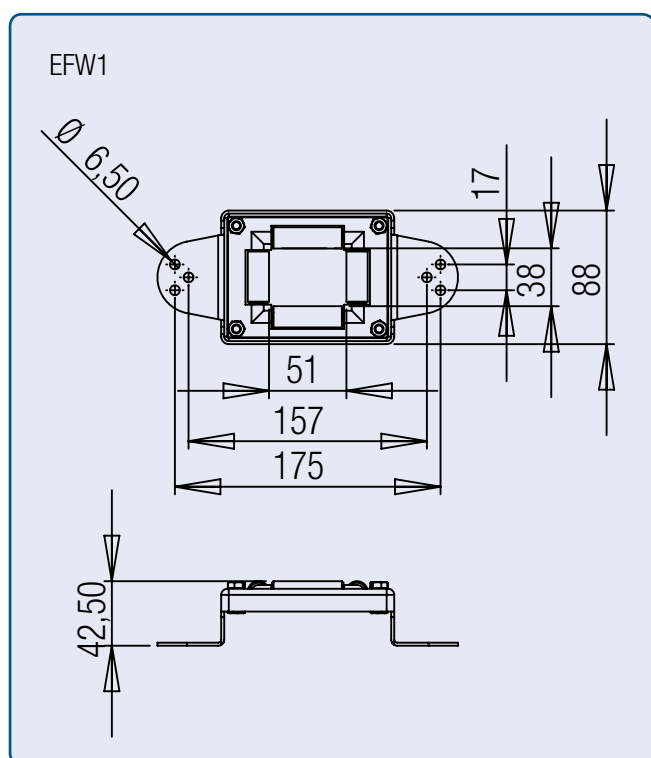
Approved for handling of hoses from inside to outside. A wall cover is available for serious wall breakthroughs.

P.	Description
4	Hose duct window EFW
5	Hose
6	Wall cover WB
7	Hose reel ST
8	Angled bracket KHDr (p. 43)

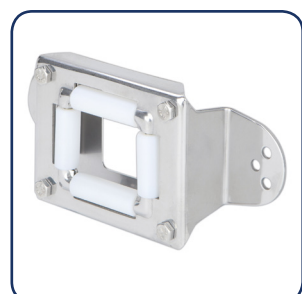


Dimensions

Hose duct window



Type	EFW item no.	A [mm]	B [mm]	Suitable for	Wall cover item no.
EFW1	B10700058	See drawing		ST14, ST20	V10710041
EFW2	B10700058-2	158	288	ST30, ST40/19/1	V10710041-1
EFW3	B10700058-3	258	388	ST40/19/2	V10710041-2



Wall duct window EFW1



Wall duct window EFW3



Wall cover WB2e