

Motor-driven hose reel type STKi2Mo

The hose reel type STKi2Mo is a reliable and approved hose reel electromotive driven for three-phase, alternating current and direct current.

Available materials:

- Stainless steel AISI 304 (Application in wet areas).

Base frame:

The base frame is made from folded sheet steel profiles guaranteeing highest stability.

Reel bearing:

Maintenance free, chemical resistant synthetic slide bearings, resistant to moisture and dirt.

Pipe elbow:

A connecting pipe that is welded with the axle guarantees an easy hose mounting, without bending the hose extremely.

Angled swivel:

The standard angled swivel is basically equipped with a stainless steel axle.

The housing consists of a hard anodized aluminium die cast alloy (3/8" & 1/2") or chemical nickel-plated brass (3/4").

All types can be supplied in stainless steel AISI 304 upon request. The used seals are made of PTFE and EPDM.

For a surcharge they are also available in Viton for chemistry.

Drive technology and operation:

The driving is effected by a robust geared motor with a manual sliding coupling. Two buttons enable forward and backward operation of the drum. Unwinding the hose is executed either motor-driven or manually after decoupling. A radio remote control is available upon request, allowing a control of the motor from a distance up to 120m.

Mounting possibilities:

The hose reel can be mounted vertical, hanging or mounted on the wall. There is no need of special brackets.

Operating Voltage:

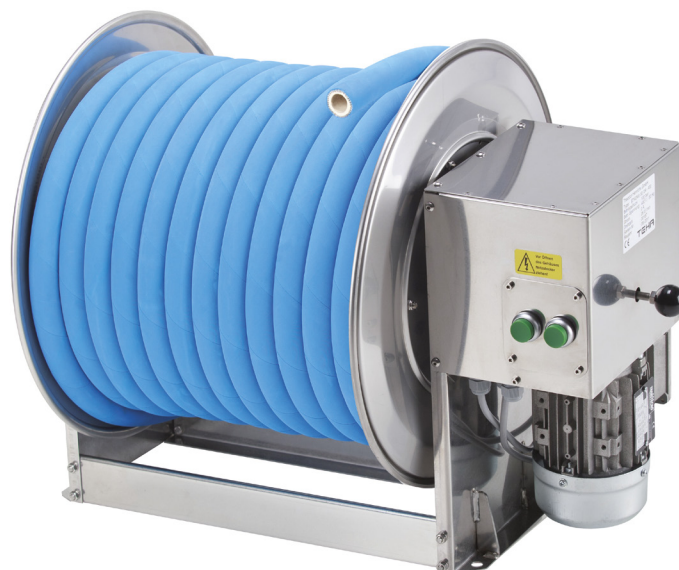
- Alternating current 230V / 50Hz, single phase
- Alternating current 400V / 50Hz, three-phase-current (If three-phase AC is available, we recommend using this motor type)
- Direct current 12V DC
- Direct current 24V DC

Protection class: IP53

Application areas:

Water, water with detergents, air, oil and grease. The maximum permitted operating temperature is regularly 100°C.

If required, the hose reels can be modified to a temperature of 180°C for an extra charge (see page 27).



Angled swivel WDT12/Al



Remote control 24V



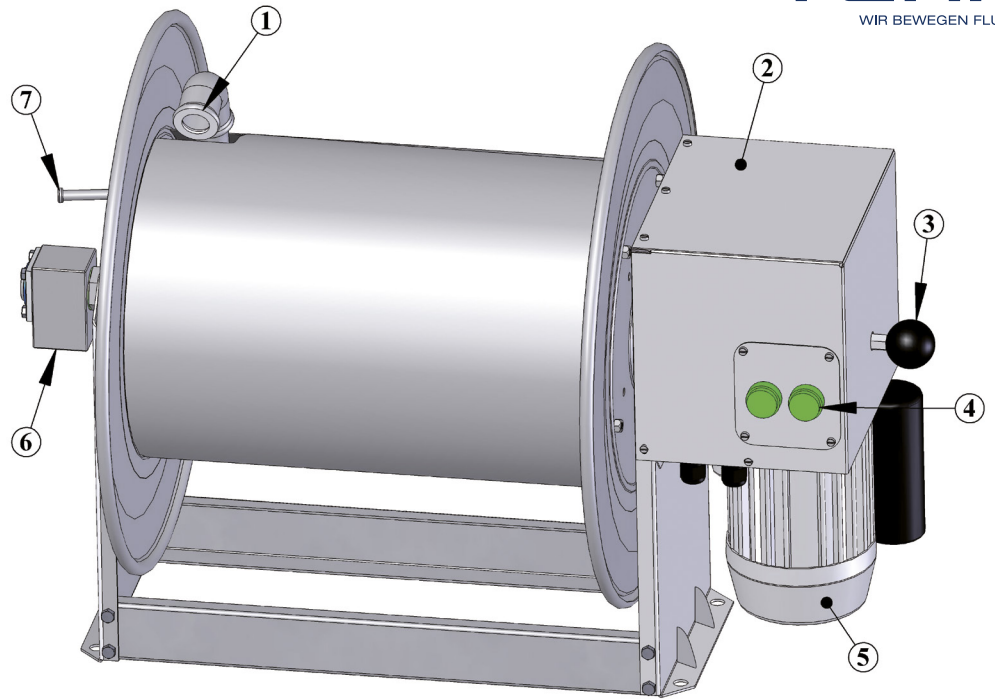
Decoupling



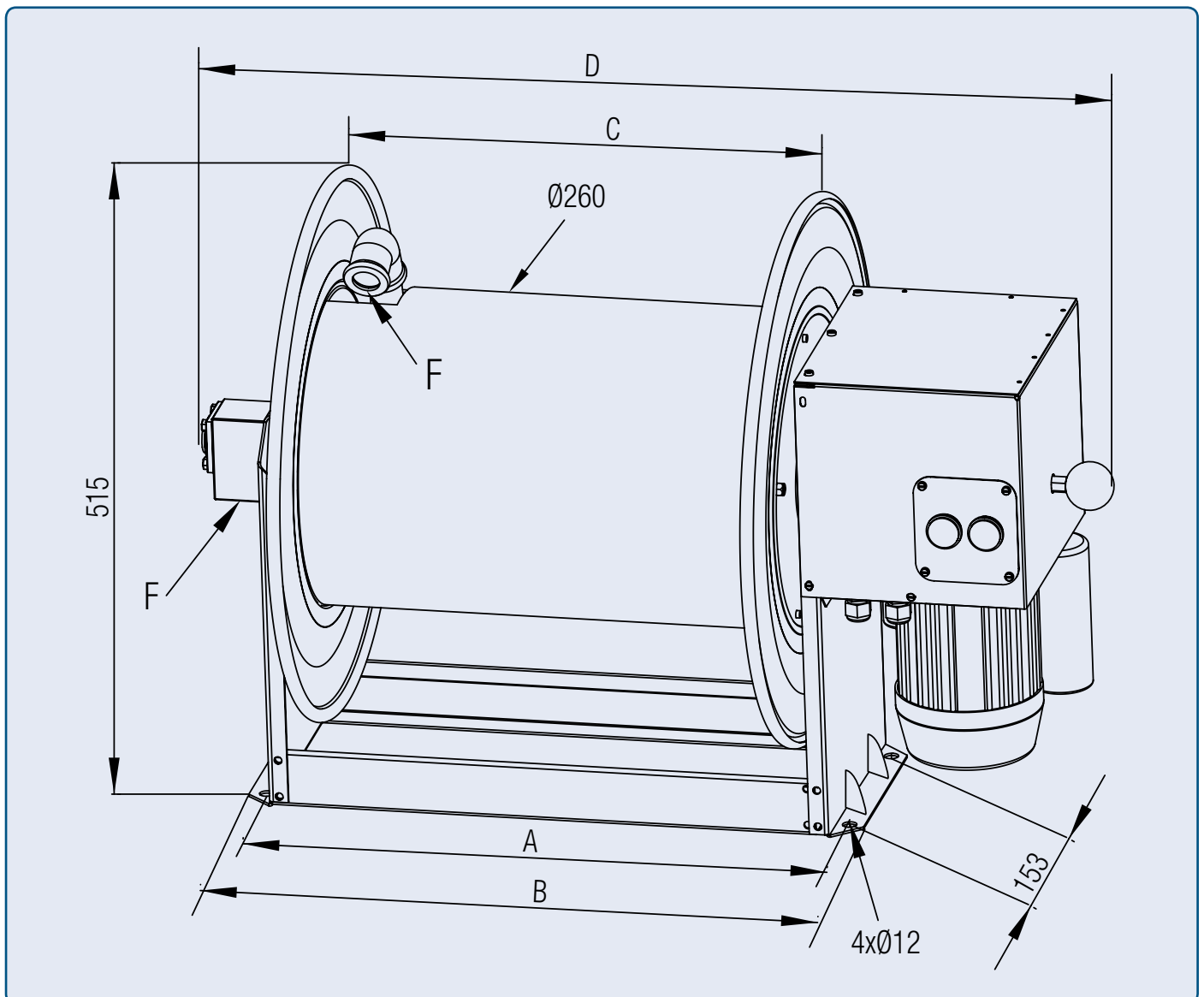
Winding and dewinding control panel

Sectional view
Hose reel STKi2Mo

P.	Description
1	Pipe elbow
2	Switchbox housing
3	Sliding coupling
4	Buttons, forward and backward operation
5	Geared motor
6	Angled swivel
7	Brake handle








Dimensions
Hose reel STKi2Mo



Type	Item number	Rewindable hose length in meter depending of the hose outside diameter-Ø [mm]				Nominal diameter/ thread* F		Max. press.	Weight	Dimensions in mm				Surface	Material of the angled swivel*
		Ø17	Ø22	Ø28	Ø35	mm	Inch			bar	kg	A	B		
1/2" (DN12)															
STKi2Mo 20/12	V10720058	60	35			12	1/2"	200	20,9	280	312	200	530	Stainless steel 304	Alu/304
STKi2Mo 40/12	V10720061	125	70			12	1/2"	200	23,9	480	512	400	730	Stainless steel 304	Alu/304
STKi2Mo 50/12	V10720064	150	85			12	1/2"	200	25,0	580	612	500	830	Stainless steel 304	Alu/304
STKi2Mo 60/12	V10720067	185	100			12	1/2"	200	26,1	680	712	600	930	Stainless steel 304	Alu/304
STKi2Mo 70/12	V10720070	215	115			12	1/2"	200	27,2	780	812	700	1030	Stainless steel 304	Alu/304
STKi2Mo 80/12	V10720073	250	130			12	1/2"	200	28,3	880	912	800	1130	Stainless steel 304	Alu/304
3/4" (DN19)															
STKi2Mo 20/19	V10720059			20		19	3/4"	200	22,1	280	312	200	540	Stainless steel 304	Br/304
STKi2Mo 40/19	V10720062			40		19	3/4"	200	25,1	480	512	400	740	Stainless steel 304	Br/304
STKi2Mo 50/19	V10720065			50		19	3/4"	200	26,2	580	612	500	840	Stainless steel 304	Br/304
STKi2Mo 60/19	V10720068			60		19	3/4"	200	27,3	680	712	600	940	Stainless steel 304	Br/304
STKi2Mo 70/19	V10720071			70		19	3/4"	200	28,4	780	812	700	1040	Stainless steel 304	Br/304
STKi2Mo 80/19	V10720073			80		19	3/4"	200	29,5	880	912	800	1140	Stainless steel 304	Br/304
1" (DN25)															
STKi2Mo 20/24	V10720060				15	24	1"	100	22,4	280	312	200	550	Stainless steel 304	Br/304
STKi2Mo 40/24	V10720063				33	24	1"	100	25,4	480	512	400	750	Stainless steel 304	Br/304
STKi2Mo 50/24	V10720066				43	24	1"	100	26,5	580	612	500	850	Stainless steel 304	Br/304
STKi2Mo 60/24	V10720069				52	24	1"	100	27,6	680	712	600	950	Stainless steel 304	Br/304
STKi2Mo 70/24	V10720072				61	24	1"	100	28,7	780	812	700	1050	Stainless steel 304	Br/304
STKi2Mo 80/24	V10720075				70	24	1"	100	29,8	880	912	800	1150	Stainless steel 304	Br/304

* You will find the connection threads of the angled swivels on page 44.

Data of motor and gear box




Description	230V/50Hz AC	400V/50Hz AC	12V DC	24V DC
				
Current	1,9 A	0,75 A	30 A	15 A
Motor power	220 Watt	250 Watt	250 Watt	250 Watt
Motor speed	1330 rpm	1350 rpm	3000 rpm	3000 rpm
Gear	i:60	i:60	i:80	i:80
Drum rotations	22,1 rpm	22,5 rpm	37,5 rpm	37,5 rpm
Protection class	IP55	IP55	IP44	IP44
Weight	7,5 kg	6,6 kg	5,7 kg	5,7 kg
Item number	E10710237-4	E10720116-4	E10710238	E10720129

Alternative motors:

Alternatively we offer different motors for hydraulic or pneumatic on request.



Gross price list, motor driven hose reel STKi2Mo

With following equipment: 1/2" angled swivel made of aluminium, 3/4" and 1" made of brass, U-sit ring, WITHOUT hose (available on request).

Hose reel type 	230V/50Hz 	400V/50Hz 			
1/2" (DN12)					
STKi2Mo 20/12	V10720058	V10720058-1			
STKi2Mo 40/12	V10720061	V10720061-1			
STKi2Mo 50/12	V10720064	V10720064-1			
STKi2Mo 60/12	V10720067	V10720067-1			
STKi2Mo 70/12	V10720070	V10720070-1			
STKi2Mo 80/12	V10720073	V10720073-1			
3/4" (DN19)					
STKi2Mo 20/19	V10720059	V10720059-1			
STKi2Mo 40/19	V10720062	V10720062-1			
STKi2Mo 50/19	V10720065	V10720065-1			
STKi2Mo 60/19	V10720068	V10720068-1			
STKi2Mo 70/19	V10720071	V10720071-1			
STKi2Mo 80/19	V10720073	V10720073-1			
1" (DN25)					
STKi2 20/24	V10720060	V10720060-1			
STKi2 40/24	V10720063	V10720063-1			
STKi2 50/24	V10720066	V10720066-1			
STKi2 60/24	V10720069	V10720069-1			
STKi2 70/24	V10720072	V10720072-1			
STKi2 80/24	V10720075	V10720075-1			

Surcharges for special versions or accessories

The following surcharges have to be added to the table above.

Description 	Item number 	
Surcharge for 12V direct current motor (0,25KW)	M10710238-1	
Surcharge for 24V direct current motor (0,25KW)	M10720129-1	
Radio remote control sender and receiver (for 230V and 400V)	M10720117	
Radio remote control sender and receiver (for 12V and 24V)	M10720117-1224	
Surcharge for 300bar version (only for 1/2" STKi2) with 1/2" WDH12/304 + Pipe elbow	MP1070003506	
Surcharge for 400bar version (only for 1/2" STKi2) with 3/8" WDH10/304 + Pipe elbow	MP1070003509	
Surcharge for 500bar version (only for 1/2" STKi2) with 1/4" WDH5/304 + Pipe elbow	MP1070003510	
Surcharge for high temperature seals 1-180°C as well as chemistry, 3/8" and 1/2"	M1071001201	
Surcharge for high temperature seals 1-180°C as well as chemistry, 3/4" and 1"	M10710012	
Surcharge for EPDM AP540 seals for Acetone, 3/8" and 1/2"	M1071001202	
Surcharge for stainless steel angled swivel, 3/8" and 1/2" = DN10 and DN12	MP10700035011	
Surcharge for stainless steel angled swivel, 3/4" = DN19	MP10700035012	
Surcharge for stainless steel angled swivel, 1" = DN24	MP1070003606	
We gladly supply hoses on request. You will find a selection among accessories on page 47.		