

**Hose reel series STKi2W, manual  
with manual crank and angled gear. front-operated.**



**Series STKi2W** made from stainless steel 1.4301 (V2a)  
Construction and technique correspond to the proven series STKi2,  
but with angled gear.

**Advantages:**

1. Front-cranking. Thus mounting in tight spaces becomes possible.
2. The transmission ratio 2:1 makes the enrolling of heavy hoses a lot easier.

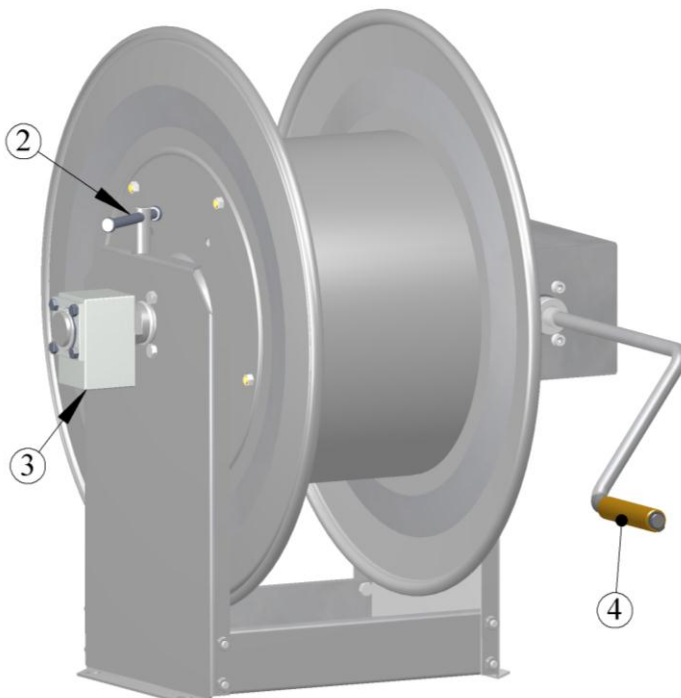
**The base frame** is made from folded sheet steel profiles guaranteeing highest stability.

**The drum** has a virtually closed plate hub and runs in maintenance-free synthetic gliding bearing bushes.

A **pluggable manual crank handle** with a free-wheeling Polyamide handle serves to turn the drum.

A **mechanical brake** integrated in the bearing permits a fine setting of the drum braking through to a complete stop.

A **hose adapter** welded to the axle is provided for easy hose connection without having to unroll the hose.



The tried and tested WDT system is used for the **angular swivel**.

The following **nominal widths** are available:  
1/2", 3/4", 1"

**Areas of application:**

Water or water with cleaning chemicals, air, oil and greases.

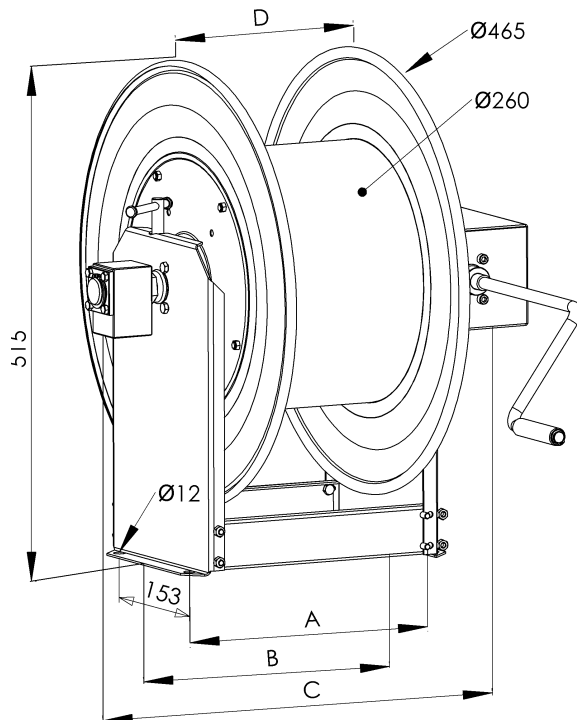
Virtually any hose length can be implemented simply by extending the drum hub and the cross strut.

The material is not suitable for use in chlorous surroundings or under the influence of seawater.

**Technical data see next page!**

Pos.	Text
1	Hose joint
2	Continuous brake
3	Water inlet / swivel
4	Pluggable manual crank handle

# Technical data STKi2W



\*\*

Item	Denomination
1	Weight
2	Enrollable hose length
3	Outer diameter hose Ø
A	Hole pitch
B	Foot width
C	Entire width

Type	Product Code	**	**	**	Max. pressure	Dimensions [ mm ]				Material of the swivel	
		1	2	3		Nominal width thread	A	B	C		D
		[ kg ]	[ m ]	[ mm ]	[ bar ]						
STKi2W 20/12	V10720010W	13,10	35	22	200 *	12 = ½"i	287	312	429	200	Al/V2a
STKi2W 20/19	V10720011W	19,30	20	28	200	19 = ¾"i	287	312	444	200	Ms/V2a
STKi2W 20/24	V10720016W	14,60	15	35	100	24 = 1"i	287	312	454	200	Ms/V2a
STKi2W 40/12	V10720012W	16,10	70	22	200 *	12 = ½"i	487	512	629	400	Al/V2a
STKi2W 40/19	V10720013W	17,30	40	28	200	19 = ¾"i	487	512	644	400	Ms/V2a
STKi2W 40/24	V10720017W	17,60	33	35	100	24 = 1"i	487	512	654	400	Ms/V2a
STKi2W 50/12	V10720018W	17,20	85	22	200 *	12 = ½"i	587	612	729	500	Al/V2a
STKi2W 50/19	V10720019W	18,40	50	28	200	19 = ¾"i	587	612	744	500	Ms/V2a
STKi2W 50/24	V10720020W	18,70	43	35	100	24 = 1"i	587	612	754	500	Ms/V2a
STKi2W 60/12	V10720021W	18,30	100	22	200 *	12 = ½"i	687	712	829	600	Al/V2a
STKi2W 60/19	V10720022W	19,50	60	28	200	19 = ¾"i	687	712	844	600	Ms/V2a
STKi2W 60/24	V10720023W	19,80	52	35	100	24 = 1"i	687	712	854	600	Ms/V2a
STKi2W 70/12	V10720024W	19,40	115	22	200 *	12 = ½"i	787	812	929	700	Al/V2a
STKi2W 70/19	V10720025W	20,60	70	28	200	19 = ¾"i	787	812	944	700	Ms/V2a
STKi2W 70/24	V10720026W	20,90	61	35	100	24 = 1"i	787	812	954	700	Ms/V2a
STKi2W 80/12	V10720027W	20,50	130	22	200 *	12 = ½"i	887	912	1029	800	Al/V2a
STKi2W 80/19	V10720028W	21,70	80	28	200	19 = ¾"i	887	912	1044	800	Ms/V2a
STKi2W 80/24	V10720029W	22,00	70	35	100	24 = 1"i	887	912	1054	800	Ms/V2a

\* In case pressures up to 300 mbar are required the ¾" swivels WDT10 can be used. The standard gaskets and bearing bushes permit working temperatures up to 100°C. Materials which permit working temperatures up to 180°C are available at an extra charge. Angled swivels made from stainless steel entirely are also available at an extra charge.

Price List  
Hose reels Type STKi2W



Series STKi2W, material 1.4301 ( V2A )

Type	Material of the swivel	Product Code			
STKi2W 20/12	Al / V2A	V10720010W			
STKi2W 20/19	Ms / V2A	V10720011W			
STKi2W 20/24	Ms / V2A	V10720016W			
STKi2W 40/12	Al / V2A	V10720012W			
STKi2W 40/19	Ms / V2A	V10720013W			
STKiW2 40/24	Ms / V2A	V10720017W			
STKi2W 50/12	Al / V2A	V10720018W			
STKi2W 50/19	Ms / V2A	V10720019W			
STKi2W 50/24	Ms / V2A	V10720020W			
STKi2W 60/12	Al / V2A	V10720021W			
STKi2W 60/19	Ms / V2A	V10720022W			
STKi2W 60/24	Ms / V2A	V10720023W			
STKi2W 70/12	Al / V2A	V10720024W			
STKi2W 70/19	Ms / V2A	V10720025W			
STKi2W 70/24	Ms / V2A	V10720026W			
STKi2W 80/12	Al / V2A	V10720027W			
STKi2W 80/19	Ms / V2A	V10720028W			
STKi2W 80/24	Ms / V2A	V10720029W			

Additional locking by stop bolt, Page 18 detail B. valid for all types of the series STKi2

Pduct code : M10720001

Surcharge [ € / pc. ] :

Prices without hose, without packaging, ex works.