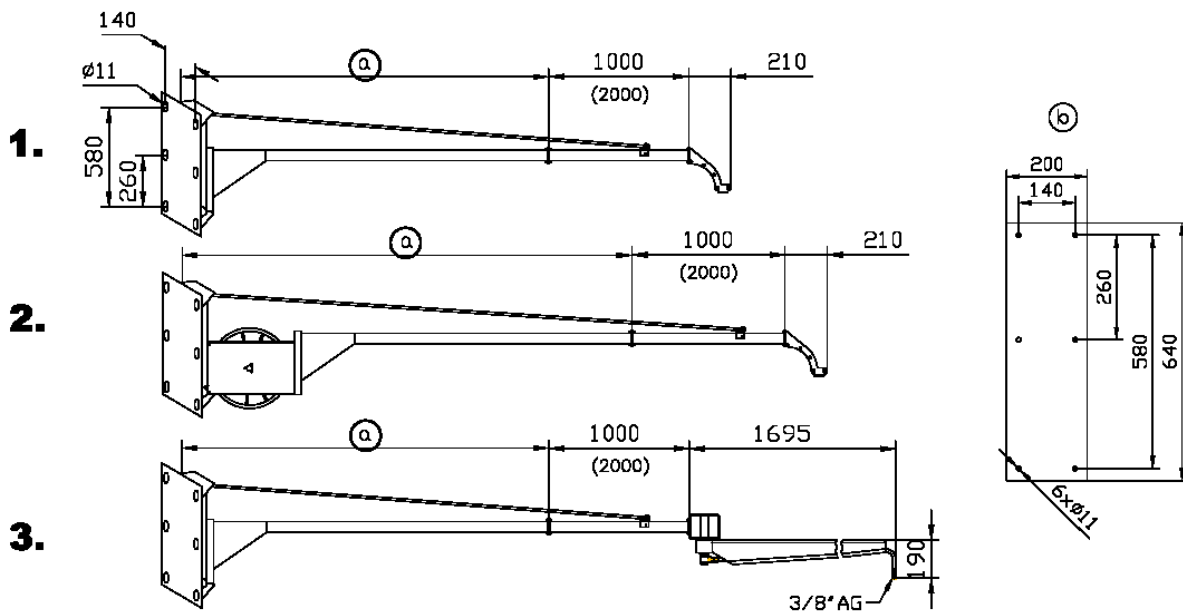


Technical Data Swingig Arms Type SA



Pos.	a	b
1.	Basic length: 1925 mm	Gauge for holes, wall plate
2.	Basic length: 2360 mm	Gauge for holes, wall plate
3.	Basic length: 1925 mm	Gauge for holes, wall plate

Type	Product-Code	Combination of lengths [mm]			Gyro - outlet [mm]	Total-length [mm]	Weight [kg]	Working hose + mounting height [mm]	Supply hose [mm]
		basic-length [mm]	Extension						
			1 m	2 m					

1. Type SA, without hose reel, without gyroscope

SA/2	V1073000201	1925			210	2135	25	2600 +	
SA/3	V1073000202	1925	1x1000		210	3135	30	3600 +	
SA/4	V1073000203	1925		1x2000	210	4135	34	4600 +	
SA/5	V1073000204	1925	1x1000	1x2000	210	5135	39	5600 +	

2. Type SAST, with hose reel

SAST/2.5	V1073000101	2360			210	2570	43	*16135 +	500
SAST/3.5	V1073000102	2360	1x1000		210	3570	48	*17135 +	500
SAST/4.5	V1073000103	2360		1x2000	210	4570	52	*18135 +	500
SAST/5.5	V1073000104	2360	1x1000	1x2000	210	5570	57	*19135 +	500

3. Type SAKR, with gyroscope

SAKR/2	V1073000301	1925			1695	3620	36	Mounting height	2400
SAKR/3	V1073000302	1925	1x1000		1695	4620	41	Mounting height	3400
SAKR/4	V1073000303	1925		1x2000	1695	5620	45	Mounting height	4400

*When only part of the capacity of the hose reel is needed, a shorter hose can be installed. The indications refer to the hose nominal diameter 8, outer Ø15.

Operational requirements:

Max. operating temperature : 100°C
 Max operating pressure : 300 bar (400 bar)
 Max tensile load : 200 N
 Applicable substances : Water, oil, air etc

Extent and condition of delivery:

The ordered components are being pre-assembled ready for conveyance as assemblies up to 2.5 m length.

Working and feeder hose are not part of the delivery extent. The hose inside the gyroscope of Type SAKR belongs to the delivery extent.

The final mounting can be carried out by the customer or the distributor respectively.