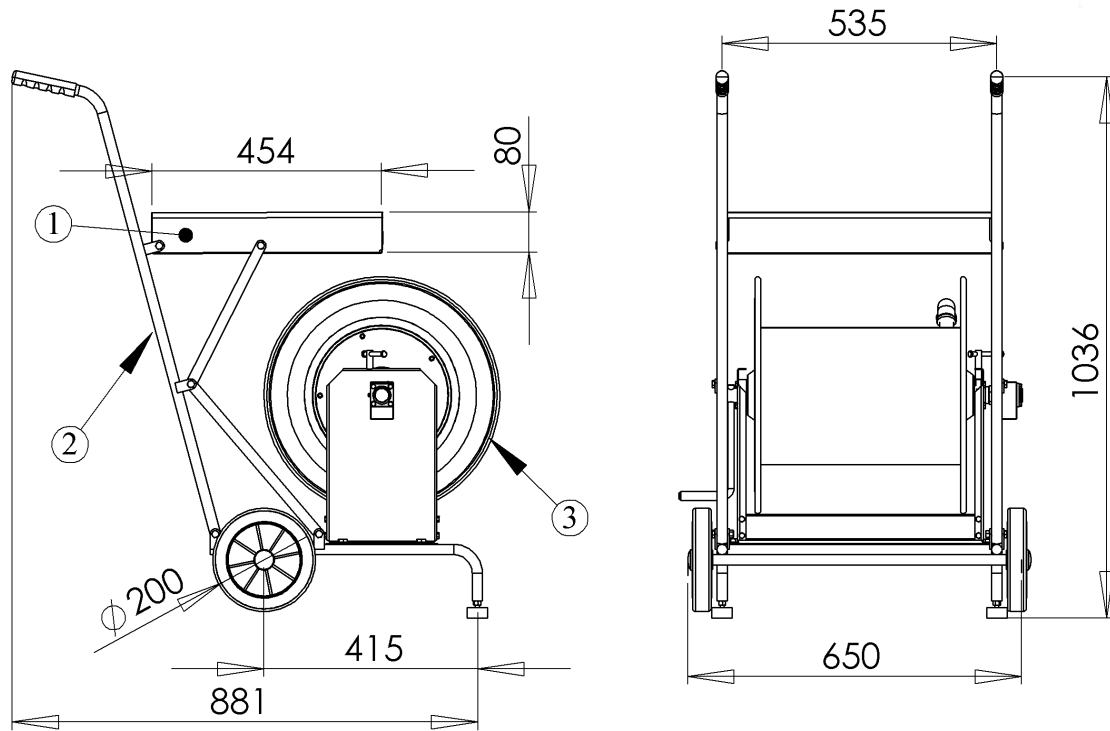


Dimensions:



Pos.	Text
1	Tray (optional)
2	The handrayl can be foldede level
3	Types STKi2 20 + STKi2 40

Technical data and type list

Product / Type	Product-Code	Material	Weight [kg]	Suitable for hose reel	
				Type	Product-Code
Hose truck SW1 Swivel for NW12 made from Al/V2a, Swivel for NW19 + NW24 made from Ms/V4a The wider hose reels Types STKi2 50 and STKi2 60 can also be applied by using an adapter plate. Please contact us in case of need.	V10770001	Stainless steel V2a (1.4301)	10,5	STKi2 20/12	V10720010
				STKi2 20/19	V10720011
				STKi2 20/24	V10720016
				STKi2 40/12	V10720012
				STKi2 40/19	V10720013
				STKi2 40/24	V10720017
Hose truck SW2 Swivels each entirely made from 1.4571 (V4a) The wider hose reels Types STKi2 50 and STKi2 60 can also be applied by using an adapter plate. Please contact us in case of need.	V10770001-1	Stainless steel V4a (1.4571)	10,5	STKi2 20/12-4a	V10720010-1
				STKi2 20/19-4a	V10720011-1
				STKi2 20/24-4a	V10720016-1
				STKi2 40/12-4a	V10720012-1
				STKi2 40/19-4a	V10720013-1
				STKi2 40/24-4a	V10720017-1
Tray AW1	V10770002	Stainless steel V2a (1.4301)	3,0	all types	
Tray AW2	V10770002-1	Stainless steel V4a (1.4571)	3,0	all types	