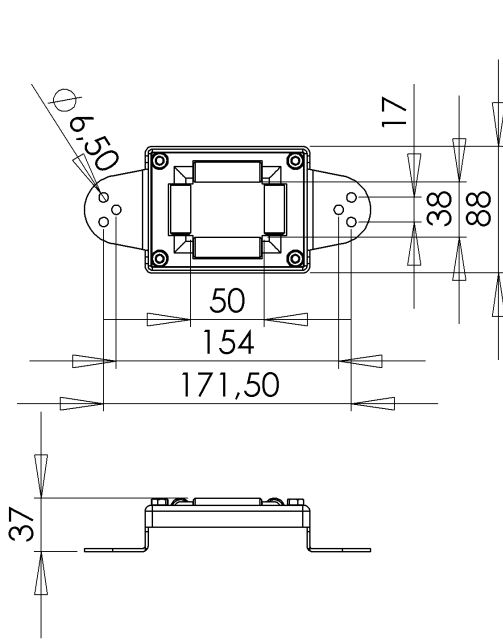
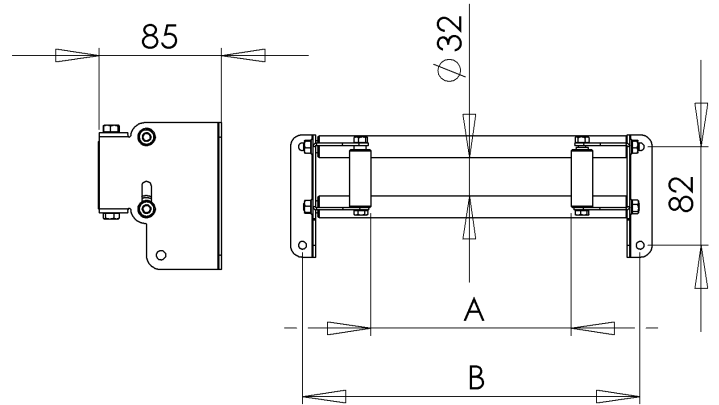


Hose lead through the wall technical details

① Type EFW1

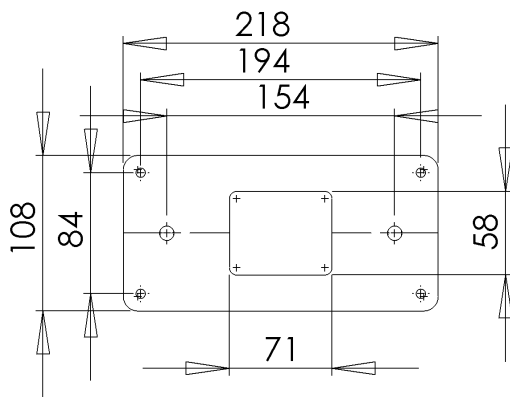


② Type EFW2 + EFW3

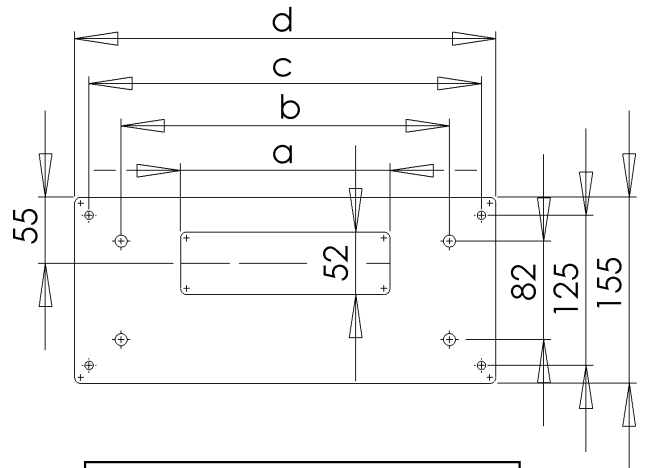


2		
Type	A	B
EFW2	158	288
EFW3	258	388

③ Type WB1

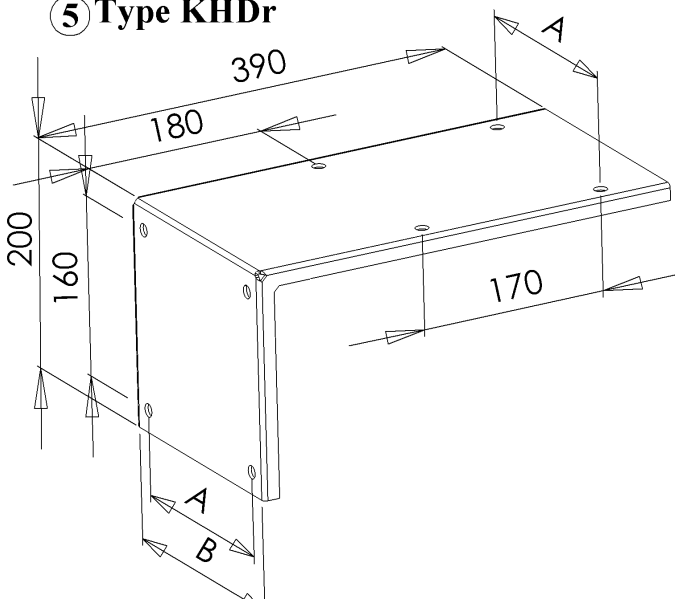


④ Type WB2 + WB3



4 Type WB2 + WB3				
Type	a	b	c	d
WB1e	174	288	326	350
WB2e	274	388	426	450

⑤ Type KHDr



5 Type KHDr		
Type	A	B
KHDr14/20e	176	210
KHDr40/1e	282	320
KHDr40/2e	382	420

Pos.	Text
1	Hose inlet window
2	Hose inlet window
3	Wall lining
4	Wall lining
5	Angled console