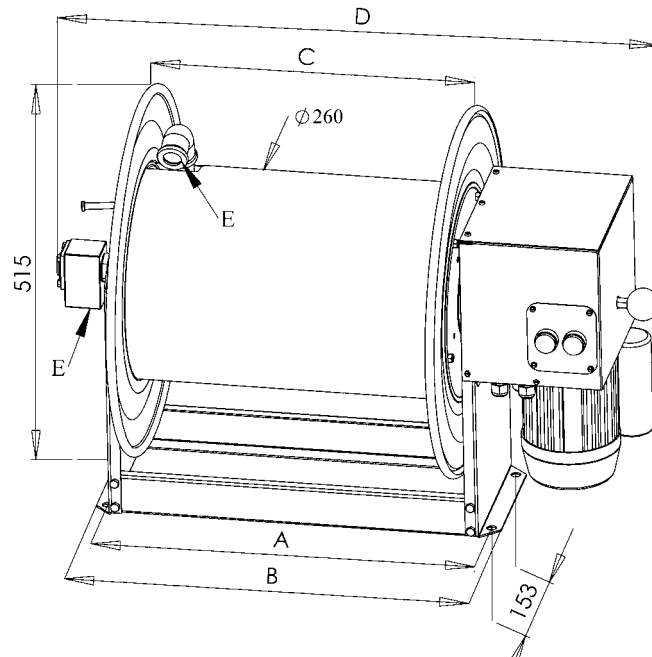


Technical data STKi2Mo



Type	Art- Nr.	Gewicht	Aufrollbare Schlauchlängen	Schlauch-Ø	Max Temperatur	Max. Druck	Abmessungen [mm]				Gewinde [Zoll]
							A	B	C	D	
		[kg]	[m]	[mm]	[°C]	[bar]					
STKi2Mo 20/12	V10720058	20,9	35	22	100	200 *	280	312	200	539	½"i
STKi2Mo 20/19	V10720059	22,1	20	28	100	200	280	312	200	554	¾"i
STKi2Mo 20/24	V10720060	22,4	15	35	100	100	280	312	200	564	1"i
STKi2Mo 40/12	V10720061	23,9	70	22	100	200 *	480	512	400	739	½"i
STKi2Mo 40/19	V10720062	25,1	40	28	100	200	480	512	400	754	¾"i
STKi2Mo 40/24	V10720063	25,4	33	35	100	100	480	512	400	764	1"i
STKi2Mo 50/12	V10720064	25,0	85	22	100	200 *	580	612	500	839	½"i
STKi2Mo 50/19	V10720065	26,2	50	28	100	200	580	612	500	854	¾"i
STKi2Mo 50/24	V10720066	26,5	43	35	100	100	580	612	500	864	1"i
STKi2Mo 60/12	V10720067	26,1	100	22	100	200 *	680	712	600	939	½"i
STKi2Mo 60/19	V10720068	27,3	60	28	100	200	680	712	600	954	¾"i
STKi2Mo 60/24	V10720069	27,6	52	35	100	100	680	712	600	964	1"i
STKi2Mo 70/12	V10720070	27,2	115	22	100	200 *	780	812	700	1039	½"i
STKi2Mo 70/19	V10720071	28,4	70	28	100	200	780	812	700	1054	¾"i
STKi2Mo 70/24	V10720072	28,7	61	35	100	100	780	812	700	1064	1"i
STKi2Mo 80/12	V10720073	28,3	130	22	100	200 *	880	912	800	1139	½"i
STKi2Mo 80/19	V10720074	29,5	80	28	100	200	880	912	800	1154	¾"i
STKi2Mo 80/24	V10720075	29,8	70	35	100	100	880	912	800	1164	1"i

- If pressures up to 300 bar are required, the standard swivel can be exchanged against the type WDT10/Al = 300 bar.

** Normally the swivels are equipped with seals for temperatures up 100°C. A temperature up to 180°C can be achieved by using heat resisting sealing kits.

Additional product code for 3/8"+ 1/2": M1071001201, for 3/4"+ 1": M10710012

Motor- and driving data:

Voltage	230V/50Hz; 400V/50Hz
Current	2 A
Motor Capacity	0,22 KW
Turning moment	32 Nm
Rotational speed of the drum	35 min ⁻¹
Method of protection	IP55
Weight, Motor unit	10,4 kg

For the application of direct current 12V DC or 24V DC alternating current machines a power inverter is used.

The power inverter produces 230V alternating current from 12V or 24V direct current.