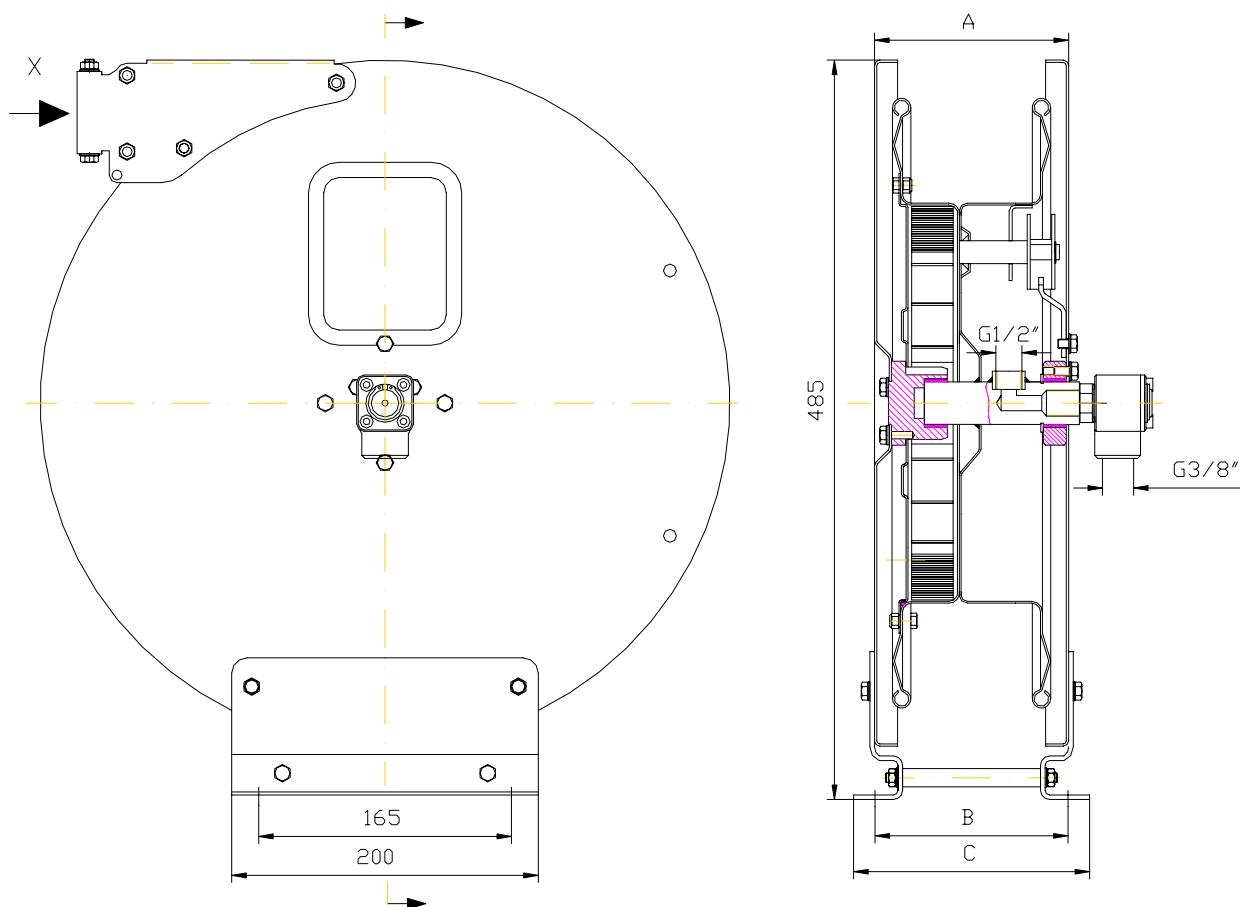


Types and dimensions, Type PST.

Type	Product code	Enrollable hose length m, depending on the outer diameter of the hose [mm]			Max. operating pressure [bar]	Max. operating temperature [°C]	Material
		Ø12	Ø15	Ø20			
PST14/10	V1076000101	15	14	12	300	100°C	Steel, powder coated
PST20/10	V1076000201	20	18	16	300	100°C	Steel, powder coated
PST14/10e	V10760001	15	14	12	300	100°C	Stainless steel
PST20/10e	V10760002	20	18	16	300	100°C	Stainless steel

Dimensions and prices Series PST



Type	Weight without quick acting closure [kg]	Dimensions [mm]			
		A	B	C	D
PST14/12	13,6	127	126	154	58
PST20/12	16,4	187	186	214	118

