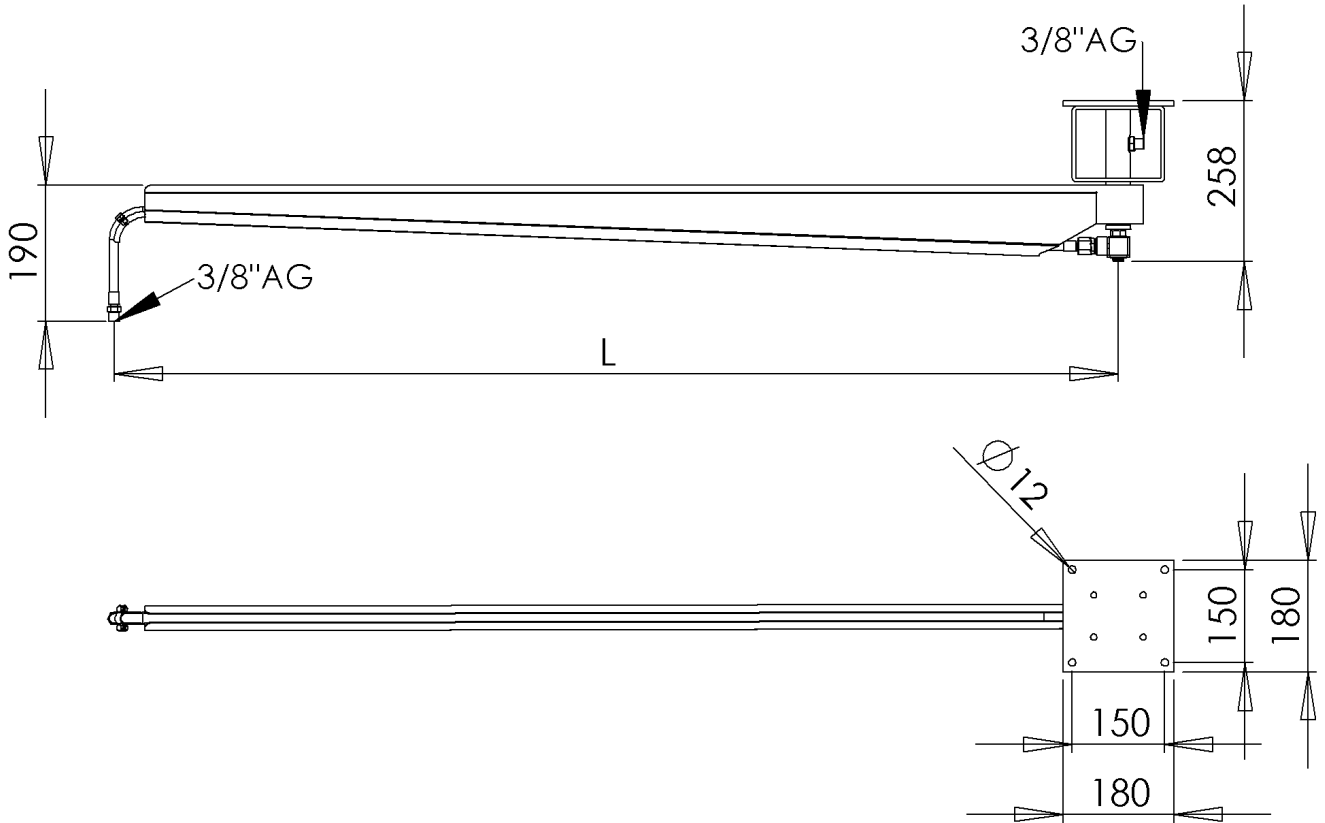


## Technical Data



Type	Product Code	Arm length [mm]	Weight [kg]
KR 1.6	V1073000901	1621	13,0
KR 2.0	V1073000902	2000	14,1
KR 2.5	V1073000903	2500	15,4

### **Operational conditions:**

Max. operating temperature : 100°C ( with surcharge: 180°C )  
 Max. operating pressure : 300 bar  
 Max. tensile load : 20 kN  
 Applicable substances : water, oil, compressed air etc.

### **Extent and condition of delivery**

The gyroscopes are entirely pre-assembled.

The connecting hose leading from the swivel to the arm outlet is part of the extent of delivery.

The working hose leading from the connecting hose to the pistol does not belong to the extent of delivery.