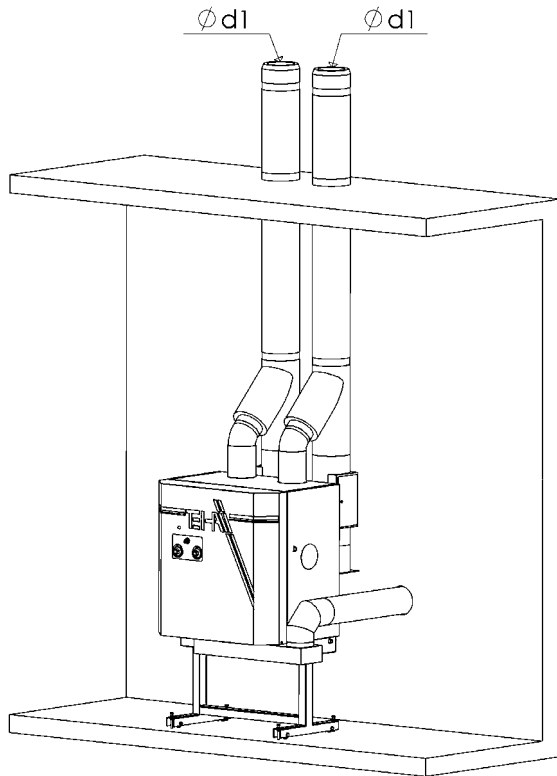
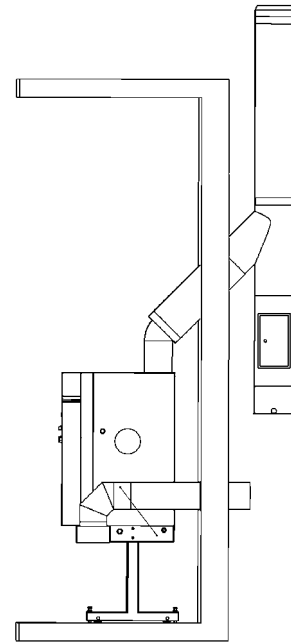


## Examples for chimney- and additional air venting

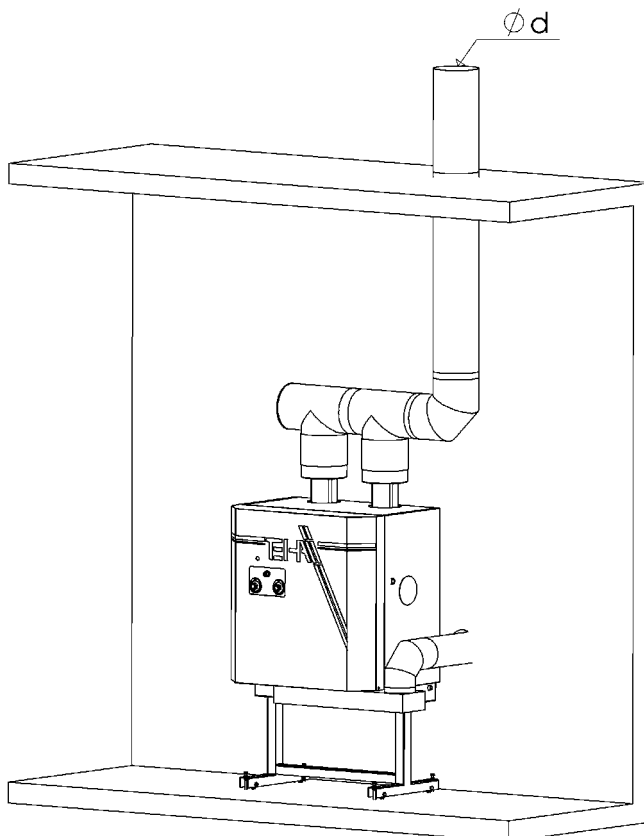
**Inside venting of the chimney,  
one chimney for each burner**



**Outside venting of the chimney**



**Junction of the flue gases  
one outlet for exhaust gases**



**Each country has its own national  
Directions for the exhaust gas guiding.  
We recommend applying to the  
Responsible authorities for the exact  
directions before mounting.**

	HBs1	HBs2	HBs3
$\phi d$		220	300
$\phi d1$	180	180	180